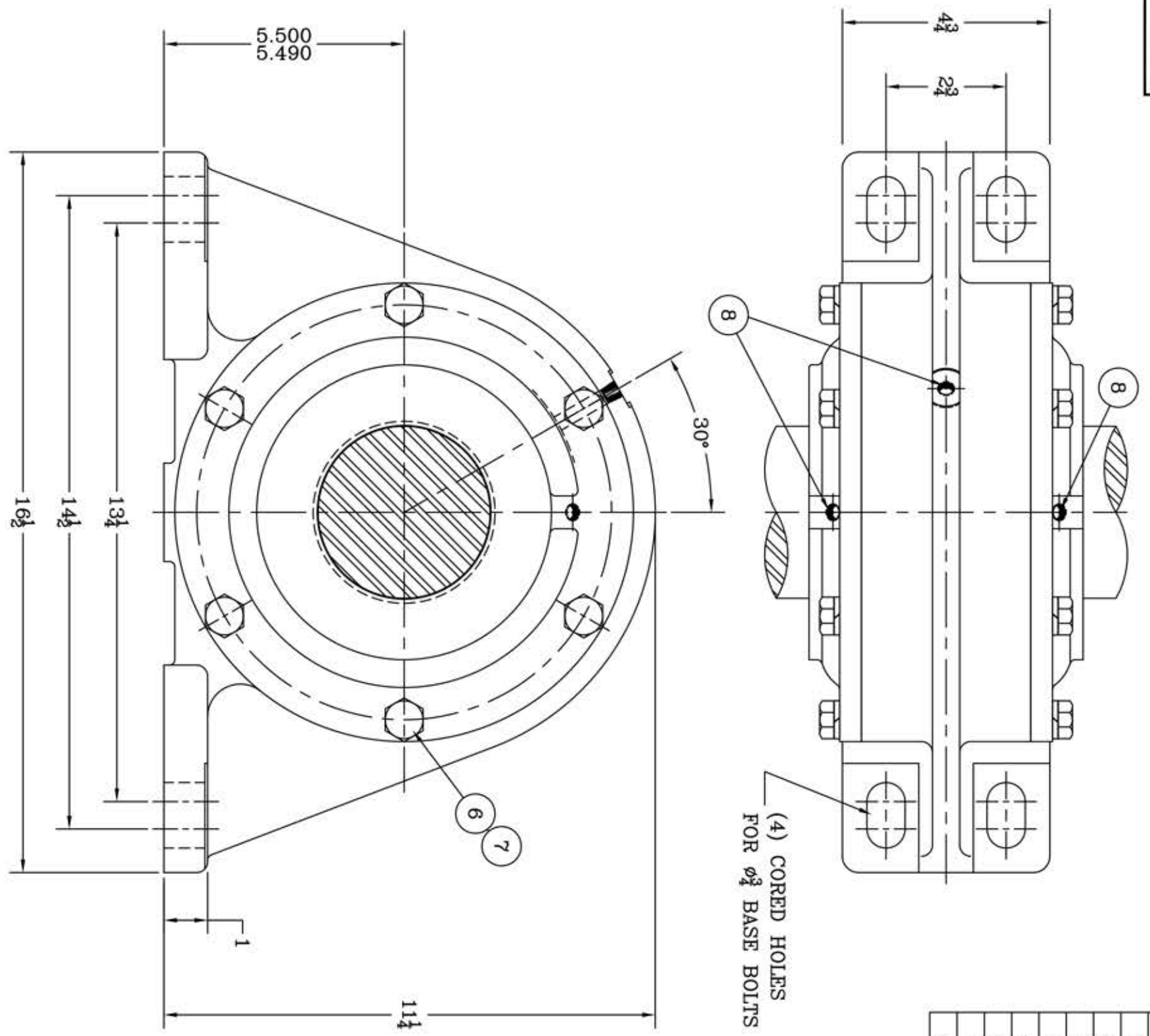


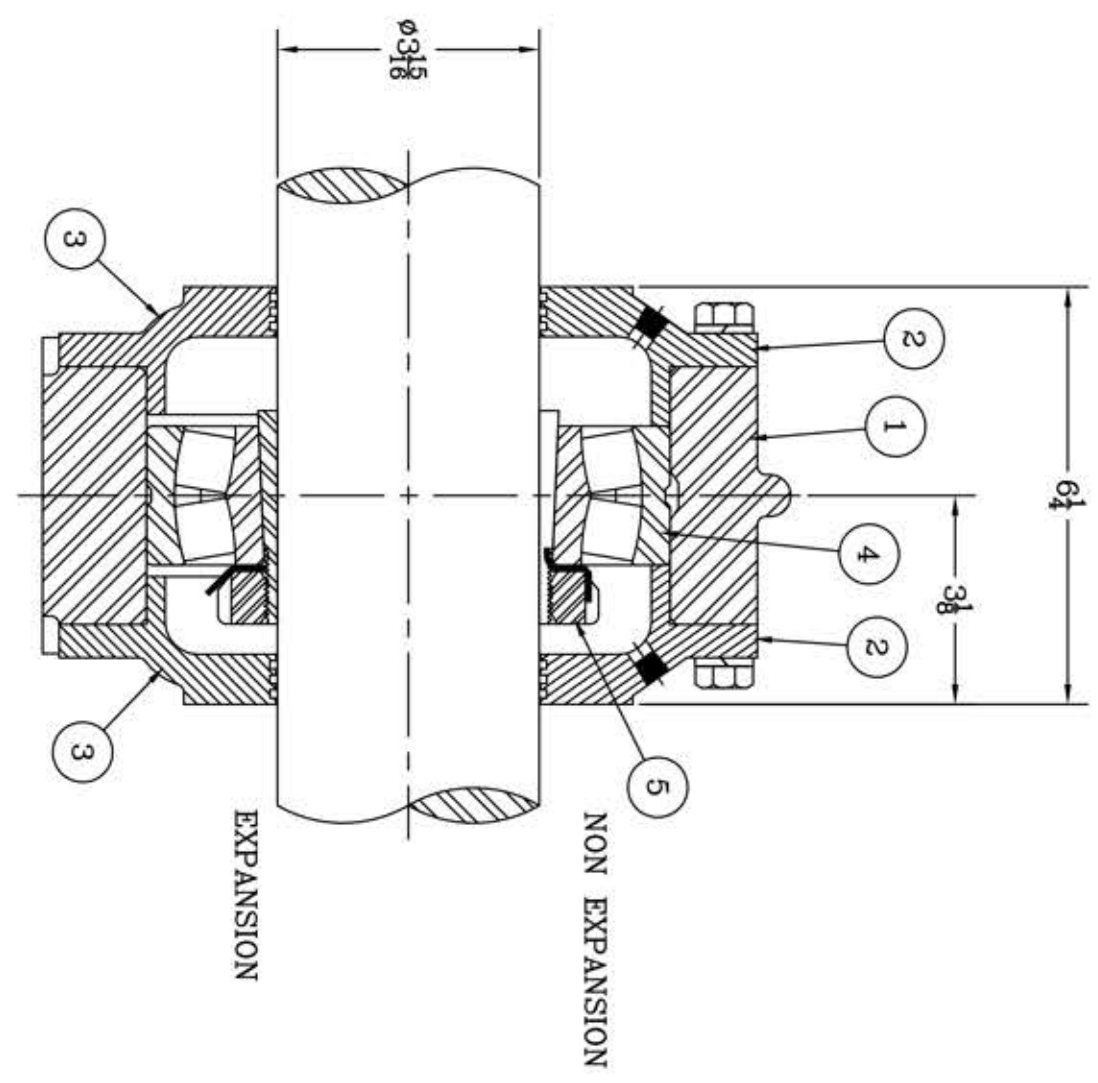
This drawing is the sole property of Miether Bearing Products and contains confidential and proprietary information. It is being provided to you for your use and may not be disclosed to any third party or used for any other purpose without Miether's prior written consent. The [materials] must be returned to the Company upon its demand. Your acceptance of these materials constitutes your acceptance of the foregoing terms.

C-14720



(4) CORED HOLES FOR $\phi 3/4$ BASE BOLTS

ITEM	DESCRIPTION	DETAIL	PER UNIT
1	HOUSING M 3004	C-22131	1 1
2	ENDCAP F-3076	C-22308	2 0
3	ENDCAP F-3077	C-22308	0 2
4	SPHERICAL ROLLER BEARING	22222K/W33	1 1
5	ADAPTER SNW 22 03-15	B-24423	1 1
6	CAP BOLT HEX. HEAD	1/2-13 NC x 1 1/2 LONG	12 12
7	LOCKWASHER	1/2 SPLIT MED.	12 12
8	PIPE PLUG	1/2-27 NPT	3 3



REDRAWN ON COMPUTER by RWB 4-15-03

REVISIONS

SYMBOL	MICRO-INCH VALUE	DESCRIPTION
C	16	CASTING
D	32	WELD
E	63	ANGLE
F	125	WELD
G	250	ANGLE
J	500	WELD
K	1000	ANGLE

TOLERANCE: UNLESS OTHERWISE SPECIFIED

FRACTIONS $\pm 1/32$ ANGLES $\pm 0^{\circ} 30'$

DECIMALS $\pm .005$ WELD $\pm 1/16$

CASTING $\pm 1/16$

A.I.S.I. STANDARD FINISHES

AN ALCO INDUSTRIES COMPANY

ODESSA, TX. USA

MMW 22522 03-15

ASSEMBLY DRAWING

SCALE HALF

DRAWN CJ

DATE 9-24-71

CHK:

ASSEMBLY NO.

DRAWING NO.

C-14720